

## Entris<sup>®</sup> II – Essential Line



### Benefits

- Highly accurate results—guaranteed via monolithic weigh cell technology invented by Sartorius
- Fastest stabilization time in its class—using state-of-the-art weighing sensors
- High chemical resistance—ensured using parts made from hard-wearing polybutylene terephthalate (PBT), stainless steel and glass

### Product Information

No matter what you're weighing, the new Entris<sup>®</sup> II is always the right choice. Offering unrivaled value at a budget price, this is the only balance in its class featuring isoCAL, LED touch technology and 12 built-in applications. Backed by almost 150 years of German engineering expertise, and available in 40 different models, you'll easily find an Entris<sup>®</sup> II balance that exactly meets your specific weighing needs.

## Technical Specifications

### General Technical Data

Ambient Conditions		Value
Installation site	For indoor use only, max. height above sea level:	3000 m
Temperature	Environment (metrological data):*	+10 - +30 °C
	Environment:	+5 - +40 °C
	Storage and transport:	-10 - +60 °C

Relative humidity**	At temperatures up to 31° C, non-condensing, then linear decrease from max. 80 % at 31° C to max. 50 % at 40° C:	15 - 80 %
---------------------	--	-----------

No heat from heating systems or direct sunlight

No electromagnetic fields

Power Supply Device		Value
Input voltage:		15 V <sub>DC</sub> (±10 %)
Power consumption, max:		4 W
Only by Sartorius power supply unit YEPS01-15V0W with interchangeable country-specific plug-in AC adaptors		

Power Supply Unit		Value
Type: Sartorius power supply unit YEPS01-15V0W		
Primary	Voltage:	100 - 240 V <sub>AC</sub> (±10 %)
	Frequency:	50 - 60 Hz
	Current consumption, maximum:	0.2 A
Secondary	Voltage:	15 V <sub>DC</sub> (±5 %)
	Current, maximum:	0.53 A
Short-circuit protection:		Electronic
Protection class according to IEC 60950-1:		II
Pollution level according to IEC 61010-1:		2
Overvoltage category according to IEC 60664-1:		II
Other data: See label on the power supply unit		

Electromagnetic Compatibility	
Interference resistance: Suitable for use in industrial areas	
Transient emissions:	Class B
Suitable for use in residential areas and areas that are connected to a low voltage network that also supplies residential buildings.	

Materials	
Housing: Polybutylene terephthalate (PBT)	
Control module: Glass	
Draft shield: Glass / polybutylene terephthalate (PBT)	
Weighing pan: Stainless steel	

\* For conformity-assessed (verified) balances in accordance with EU requirements, refer to the information on the balance.

\*\* For conformity-assessed (verified) balances in accordance with EU requirements, the legal regulations apply.

Warm-up Time		Value
Device, approx		2 h

### Interfaces

Specifications of the RS232 Interface

Type of interface: Serial interface

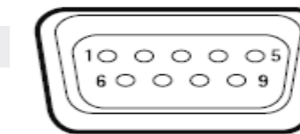
Interface operation: Full duplex

Level: RS232

Connection: D-sub connector, 9-pin

Maximum cable length: 10 m

Pin assignment



Pin 1: Not assigned  
Pin 2: Data output (TxD)  
Pin 3: Data input (RxD)  
Pin 4: Not assigned  
Pin 5: Internal ground

Pin 6: Not assigned  
Pin 7: Clear to Send (CTS)  
Pin 8: Request to Send (RTS)  
Pin 9: Universal key

Specifications for the USB-C Interface

Communication: USB UTL

Connectable devices: Sartorius printers, Sartorius second display or PC

### Calibration

Internal calibration isoCAL (models with marking i-1x)

External calibration

### Selectable Weight Units\*

Gram, kilogram, carat, pound, ounce, troy ounce, Hong Kong tael, Singapore tael, Taiwan tael, grain, pennyweights, milligram, parts per pound, China tael, mommes, Austrian carat, tola, baht, mesghal and Newton

### Display

Intuitive, wear resistant LED screen with touch technology

### Built-in Applications

- Weighing | Dosing
- Counting
- Percentage weighing
- Mixing | Net total
- Components | Totalizing
- Animal weighing
- Calculation | Free factor
- Density determination
- Underfloor weighing feature for bigger samples
- Statistics
- Peakhold
- Checkweighing
- Mass unit conversion

### Languages

English, German, France, Italian, Spanish, Portuguese, Russian, Polish

### Protection

- Chemical resistant housing parts
- Glass parts of the draft shield are coated to reduce electrostatic influences
- Display foil (available as accessory)
- Dust cover for balances with draft shield

### Anti-theft Lock

Kensington lock and lockdown capability for cable or chain

\* The availability of units depends on national legislation and is therefore country-specific.

# Technical Specifications

## Models with internal adjustment feature

Model	Unit	224i-1x <sup>1</sup>	124i-1x <sup>1</sup>	64i-1x <sup>1</sup>	653i-1x <sup>1</sup>	623i-1x <sup>1</sup>	423i-1x <sup>1</sup>	323i-1x <sup>1</sup>	223i-1x <sup>1</sup>	6202i-1x <sup>1</sup>	4202i-1x <sup>1</sup>	3202i-1x <sup>1</sup>	2202i-1x <sup>1</sup>	1202i-1x <sup>1</sup>	822i-1x <sup>1</sup>	622i-1x <sup>1</sup>	8201i-1x <sup>1</sup>	5201i-1x <sup>1</sup>	2201i-1x <sup>1</sup>	8200i-1x <sup>1</sup>	6200i-1x <sup>1</sup>
Readability   Scale interval (d)	mg	0.1	0.1	0.1	1	1	1	1	1	10	10	10	10	10	10	10	100	100	100	1,000	1,000
Maximum capacity (Max)	g	220	120	60	650	620	420	320	220	6,200	4,200	3,200	2,200	1,200	820	620	8,200	5,200	2,200	8,200	6,200
Weighing system		EMC	EMC	EMC	EMC	EMC	EMC	EMC	EMC	EMC	EMC	EMC	EMC	EMC	EMC	EMC	EMC	EMC	EMC	EMC	EMC
<b>Repeatability</b>																					
At 5% load, typical value	±mg	0.08	0.08	0.08	0.5	0.5	0.5	0.5	0.5	5	5	5	5	5	5	5	50	50	50	500	500
At approx. maximum load, typical value	±mg	0.1	0.1	0.1	1	1	1	1	1	10	10	10	10	10	10	10	100	100	100	1,000	1,000
<b>Linearity deviation</b>																					
Limits	±mg	0.2	0.2	0.2	2	2	2	2	2	20	20	20	20	20	20	20	100	100	100	1,000	1,000
Typical value	±mg	0.06	0.06	0.06	0.6	0.6	0.6	0.6	0.6	6	6	6	6	6	6	6	60	60	60	600	600
Sensitivity drift between +10 °C and +30 °C	±ppm/K	1.5	1.5	1.5	2	2	2	2	2	2	2	2	2	2	2	2	4	2	2	4	4
Tare maximum capacity (subtractive)		<100% of maximum capacity										<100% of maximum capacity									
<b>isoCAL (only for i-1x models):</b>																					
Temperature change	K	1.5	1.5	1.5	2	2	2	2	2	2	2	2	2	2	2	2	2	2	2	2	2
Time interval	h	4	4	4	6	6	6	6	6	6	6	6	6	6	6	6	6	6	6	6	6
<b>For models with approval:</b>																					
Accuracy class		I	I	I	II	II	II	II	II	II	II	II	II	II	II	II	II	II	II	II	II
Type		BC_EB	BC_EB	BC_EB	BC_ED	BC_ED	BC_ED	BC_ED	BC_ED	BC_EE	BC_EE	BC_EE	BC_EE	BC_EE	BC_EE	BC_EE	BC_EE	BC_EE	BC_EE	BC_EE	BC_EE
Verification scale interval (e)	mg	1	1	1	10	10	10	10	10	100	100	100	100	100	100	100	1,000	100	100	1,000	1,000
Minimum load (Min)	mg	10	10	10	20	20	20	20	20	500	500	500	500	500	500	500	5,000	5,000	5,000	50,000	50,000
<b>Minimum initial weighing according to USP (United States Pharmacopeia), Chap. 41</b>																					
Optimum minimum initial weighing	g	0.082	0.082	0.082	0.82	0.82	0.82	0.82	0.82	8.2	8.2	8.2	8.2	8.2	8.2	8.2	82	82	82	820	820
Typical minimum initial weighing	g	0.16	0.16	0.16	1	1	1	1	1	10	10	10	10	10	10	10	100	100	100	1,000	1,000
Typical measurement time	s	≤ 2.0	≤ 2.0	≤ 2.0	≤ 1.5	≤ 1.5	≤ 1.5	≤ 1.5	≤ 1.5	≤ 1.0	≤ 1.0	≤ 1.0	≤ 1.0	≤ 1.0	≤ 1.0	≤ 1.0	≤ 1.0	≤ 1.0	≤ 1.0	≤ 1.0	≤ 1.0
Typical stabilization time	s	≤ 1.5	≤ 1.5	≤ 1.5	≤ 1.0	≤ 1.0	≤ 1.0	≤ 1.0	≤ 1.0	≤ 0.9	≤ 0.9	≤ 0.9	≤ 0.9	≤ 0.9	≤ 0.9	≤ 0.9	≤ 0.9	≤ 0.9	≤ 0.9	≤ 0.9	≤ 0.9
<b>Recommended calibration weight</b>																					
External calibrated test weight	g	200	100	50	500	500	200	200	200	5,000	2,000	2,000	2,000	1,000	500	500	5,000	5,000	2,000	5,000	5,000
Accuracy class in accordance with OIML R111-1		E2	E2	E2	F1	F1	F1	F1	F1	F1	F1	F1	F1	F1	F2	F2	F2	F2	F2	F2	F2
Weighing pan size	mm	Ø 90	Ø 90	Ø 90	Ø 120	Ø 120	Ø 120	Ø 120	Ø 120	182 x 182	182 x 182	182 x 182	182 x 182	182 x 182	182 x 182	182 x 182	182 x 182	182 x 182	182 x 182	182 x 182	182 x 182
Weighing chamber height*	mm	240	240	240	50	240	240	240	240	-	-	-	-	-	-	-	-	-	-	-	-
Net weight, approx.	kg	6.20	6.20	6.20	4.80	6.30	6.30	6.30	6.30	6.20	6.20	6.20	6.20	6.20	6.20	6.20	6.20	6.20	6.20	6.20	6.20
Gross weight, approx.	kg	8.00	8.00	8.00	6.20	8.10	8.10	8.10	8.10	7.00	7.00	7.00	7.00	7.00	7.00	7.00	7.00	7.00	7.00	7.00	7.00

\* upper edge of the weighing pan to the lower edge of the upper draft shield panel

1 Country-specific marking in model:

- x = S: Standard balances without country-specific additions
- x = SAR: Standard balances with country-specific additions for Argentina
- x = SJP: Standard balances with country-specific additions for Japan
- x = SKR: Standard balances with country-specific additions for South Korea
- x = CCN: Balances with approval for China
- x = CEU: Conformity-assessed balances with EU type examination certificate without country-specific additions

- x = CFR: Conformity-assessed balances with EU type examination certificate only for France
- x = OBR: Balances with approval for Brazil
- x = OIN: Balances with approval for India
- x = OJP: Balances with approval for Japan
- x = ORU: Balances with approval for Russia

Models without internal adjustment feature, with approval

Model	Unit	224-1x <sup>1</sup>	124-1x <sup>1</sup>	64-1x <sup>1</sup>	653-1x <sup>1</sup>	623-1x <sup>1</sup>	423-1x <sup>1</sup>	323-1x <sup>1</sup>	223-1x <sup>1</sup>	6202-1x <sup>1</sup>	4202-1x <sup>1</sup>	3202-1x <sup>1</sup>	2202-1x <sup>1</sup>	1202-1x <sup>1</sup>	822-1x <sup>1</sup>	622-1x <sup>1</sup>	8201-1x <sup>1</sup>	5201-1x <sup>1</sup>	2201-1x <sup>1</sup>	8200-1x <sup>1</sup>	6200-1x <sup>1</sup>
Readability   Scale interval (d)	mg	0.1	0.1	0.1	1	1	1	1	1	10	10	10	10	10	10	10	100	100	100	1,000	1,000
Maximum capacity (Max)	g	220	120	60	650	620	420	320	220	6,200	4,200	3,200	2,200	1,200	820	620	8,200	5,200	2,200	8,200	6,200
Weighing system		EMC	EMC	EMC	EMC	EMC	EMC	EMC	EMC	EMC	EMC	EMC	EMC	EMC	EMC	EMC	Strain gauge	EMC	EMC	Strain gauge	Strain gauge
<b>Repeatability</b>																					
At 5% load, typical value	±mg	0.08	0.08	0.08	0.5	0.5	0.5	0.5	0.5	5	5	5	5	5	5	5	50	50	50	500	500
At approx. maximum load, typical value	±mg	0.1	0.1	0.1	1	1	1	1	1	10	10	10	10	10	10	10	100	100	100	1,000	1,000
<b>Linearity deviation</b>																					
Limits	±mg	0.2	0.2	0.2	2	2	2	2	2	20	20	20	20	20	20	20	300	100	100	1,000	1,000
Typical value	±mg	0.06	0.06	0.06	0.6	0.6	0.6	0.6	0.6	6	6	6	6	6	6	6	100	60	60	600	600
Sensitivity drift between +10 °C and +30 °C	±ppm/K	1.5	1.5	1.5	2	2	2	2	2	2	2	2	2	2	2	2	7	2	2	7	7
Tare maximum capacity (subtractive)		<100% of maximum capacity										<100% of maximum capacity									
<b>For models with approval:</b>																					
Accuracy class		I	I	I	II	II	II	II	II	II	II	II	II	II	II	II	II	II	II	II	II
Type		BC_EB	BC_EB	BC_EB	BC_ED	BC_ED	BC_ED	BC_ED	BC_ED	BC_EE	BC_EE	BC_EE	BC_EE	BC_EE	BC_EE	BC_EE	BC_EI	BC_EE	BC_EE	BC_EI	BC_EI
Verification scale interval (e)	mg	1	1	1	10	10	10	10	10	100	100	100	100	100	100	100	1,000	100	100	1,000	1,000
Minimum load (Min)	mg	10	10	10	20	20	20	20	20	500	500	500	500	500	500	500	5,000	5,000	5,000	50,000	50,000
<b>Minimum initial weighing according to USP (United States Pharmacopeia), Chap. 41</b>																					
Optimum minimum initial weighing	g	0.082	0.082	0.082	0.82	0.82	0.82	0.82	0.82	8.2	8.2	8.2	8.2	8.2	8.2	8.2	82	82	82	820	820
Typical minimum initial weighing	g	0.16	0.16	0.16	1	1	1	1	1	10	10	10	10	10	10	10	100	100	100	1,000	1,000
Typical measurement time	s	≤ 2.0	≤ 2.0	≤ 2.0	≤ 1.5	≤ 1.5	≤ 1.5	≤ 1.5	≤ 1.5	≤ 1.0	≤ 1.0	≤ 1.0	≤ 1.0	≤ 1.0	≤ 1.0	≤ 1.0	≤ 1.0	≤ 1.0	≤ 1.0	≤ 1.0	≤ 1.0
Typical stabilization time	s	≤ 1.5	≤ 1.5	≤ 1.5	≤ 1.0	≤ 1.0	≤ 1.0	≤ 1.0	≤ 1.0	≤ 0.9	≤ 0.9	≤ 0.9	≤ 0.9	≤ 0.9	≤ 0.9	≤ 0.9	≤ 0.9	≤ 0.9	≤ 0.9	≤ 0.9	≤ 0.9
<b>Recommended calibration weight</b>																					
External calibrated test weight	g	200	100	50	500	500	200	200	200	5,000	2,000	2,000	2,000	1,000	500	500	5,000	5,000	2,000	5,000	5,000
Accuracy class in accordance with OIML R111-1		E2	E2	E2	F1	F1	F1	F1	F1	F1	F1	F1	F1	F1	F2	F2	F2	F2	F2	F2	F2
Weighing pan size	mm	Ø 90	Ø 90	Ø 90	Ø 120	Ø 120	Ø 120	Ø 120	Ø 120	182 x 182	182 x 182	182 x 182	182 x 182	182 x 182	182 x 182	182 x 182	182 x 182	182 x 182	182 x 182	182 x 182	182 x 182
Weighing chamber height*	mm	240	240	240	50	240	240	240	240	-	-	-	-	-	-	-	-	-	-	-	-
Net weight, approx.	kg	5.90	5.90	5.90	4.50	5.90	5.90	5.90	5.90	4.60	4.60	4.60	4.60	4.60	4.60	4.60	4.30	4.60	4.60	4.30	4.30
Gross weight, approx.	kg	7.70	7.70	7.70	5.80	7.70	7.70	7.70	7.70	5.40	5.40	5.40	5.40	5.40	5.40	5.40	5.10	5.40	5.40	5.10	5.10

\* upper edge of the weighing pan to the lower edge of the upper draft shield panel

<sup>1</sup> Country-specific marking in model:

x = CCN: Balances with approval for China

x = OIN: Balances with approval for India

Models without internal adjustment feature, without approval

Model	Unit	224-1x <sup>1</sup>	124-1x <sup>1</sup>	64-1x <sup>1</sup>	653-1x <sup>1</sup>	623-1x <sup>1</sup>	423-1x <sup>1</sup>	323-1x <sup>1</sup>	223-1x <sup>1</sup>	6202-1x <sup>1</sup>	4202-1x <sup>1</sup>	3202-1x <sup>1</sup>	2202-1x <sup>1</sup>	1202-1x <sup>1</sup>	822-1x <sup>1</sup>	622-1x <sup>1</sup>	8201-1x <sup>1</sup>	5201-1x <sup>1</sup>	2201-1x <sup>1</sup>	8200-1x <sup>1</sup>	6200-1x <sup>1</sup>
Readability   Scale interval (d)	mg	0.1	0.1	0.1	1	1	1	1	1	10	10	10	10	10	10	10	100	100	100	1,000	1,000
Maximum capacity (Max)	g	220	120	60	650	620	420	320	220	6,200	4,200	3,200	2,200	1,200	820	620	8,200	5,200	2,200	8,200	6,200
Weighing system		EMC	EMC	EMC	EMC	EMC	EMC	EMC	EMC	EMC	EMC	EMC	Strain gauge	Strain gauge	Strain gauge	Strain gauge	Strain gauge	Strain gauge	Strain gauge	Strain gauge	Strain gauge
<b>Repeatability</b>																					
At 5% load, typical value	±mg	0.08	0.08	0.08	0.5	0.5	0.5	0.5	0.5	5	5	5	5	5	5	5	50	50	50	500	500
At approx. maximum load, typical value	±mg	0.1	0.1	0.1	1	1	1	1	1	10	10	10	10	10	10	10	100	100	100	1,000	1,000
<b>Linearity deviation</b>																					
Limits	±mg	0.2	0.2	0.2	2	2	2	2	2	20	20	20	20	20	20	20	300	300	300	1,000	1,000
Typical value	±mg	0.06	0.06	0.06	0.6	0.6	0.6	0.6	0.6	6	6	6	6	6	6	6	100	100	100	600	600
Sensitivity drift between +10 °C and +30 °C	±ppm/K	1.5	1.5	1.5	2	2	2	2	2	2	2	2	3.5	3.5	3.5	3.5	7	7	7	7	7
Tare maximum capacity (subtractive)		<100% of maximum capacity										<100% of maximum capacity									
<b>Minimum initial weighing according to USP (United States Pharmacopeia), Chap. 41</b>																					
Optimum minimum initial weighing	g	0.082	0.082	0.082	0.82	0.82	0.82	0.82	0.82	8.2	8.2	8.2	8.2	8.2	8.2	8.2	82	82	82	820	820
Typical minimum initial weighing	g	0.16	0.16	0.16	1	1	1	1	1	10	10	10	10	10	10	10	100	100	100	1,000	1,000
Typical measurement time	s	≤ 2.0	≤ 2.0	≤ 2.0	≤ 1.5	≤ 1.5	≤ 1.5	≤ 1.5	≤ 1.5	≤ 1.0	≤ 1.0	≤ 1.0	≤ 1.0	≤ 1.0	≤ 1.0	≤ 1.0	≤ 1.0	≤ 1.0	≤ 1.0	≤ 1.0	≤ 1.0
Typical stabilization time	s	≤ 1.5	≤ 1.5	≤ 1.5	≤ 1.0	≤ 1.0	≤ 1.0	≤ 1.0	≤ 1.0	≤ 0.9	≤ 0.9	≤ 0.9	≤ 0.9	≤ 0.9	≤ 0.9	≤ 0.9	≤ 0.9	≤ 0.9	≤ 0.9	≤ 0.9	≤ 0.9
<b>Recommended calibration weight</b>																					
External calibrated test weight	g	200	100	50	500	500	200	200	200	5,000	2,000	2,000	2,000	1,000	500	500	5,000	5,000	2,000	5,000	5,000
Accuracy class in accordance with OIML R111-1		E2	E2	E2	F1	F1	F1	F1	F1	F1	F1	F1	F1	F1	F2	F2	F2	F2	F2	F2	F2
Weighing pan size	mm	Ø 90	Ø 90	Ø 90	Ø 120	Ø 120	Ø 120	Ø 120	Ø 120	182 x 182	182 x 182	182 x 182	182 x 182	182 x 182	182 x 182	182 x 182	182 x 182	182 x 182	182 x 182	182 x 182	182 x 182
Weighing chamber height*	mm	240	240	240	50	240	240	240	240	-	-	-	-	-	-	-	-	-	-	-	-
Net weight, approx.	kg	5.90	5.90	5.90	4.50	5.90	5.90	5.90	5.90	4.60	4.60	4.60	4.30	4.30	4.30	4.30	4.30	4.30	4.30	4.30	4.30
Gross weight, approx.	kg	7.70	7.70	7.70	5.80	7.70	7.70	7.70	7.70	5.10	5.10	5.10	5.10	5.10	5.10	5.10	5.10	5.10	5.10	5.10	5.10

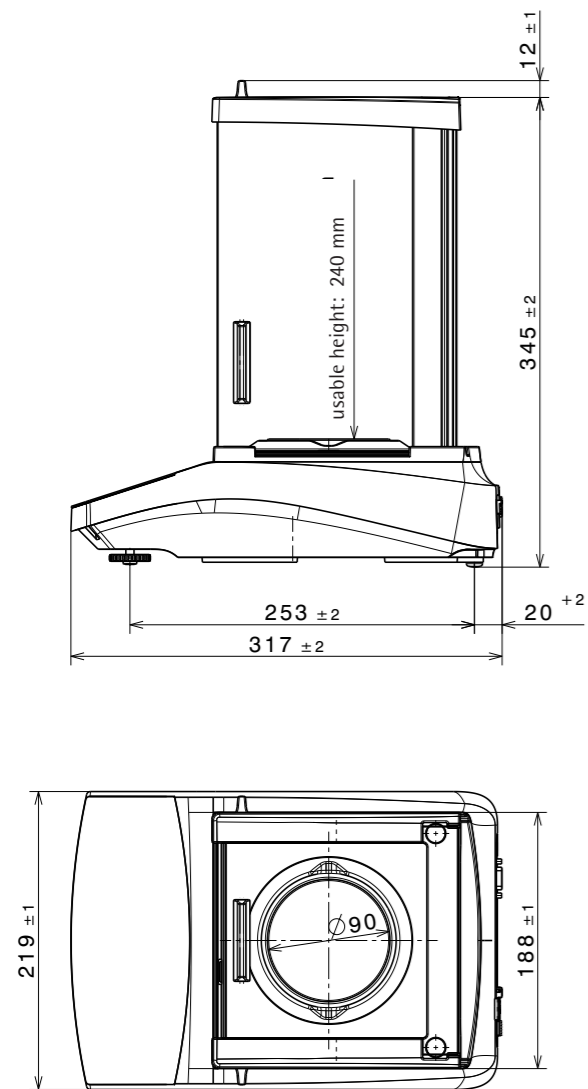
\* upper edge of the weighing pan to the lower edge of the upper draft shield panel

<sup>1</sup> Country-specific marking in model:

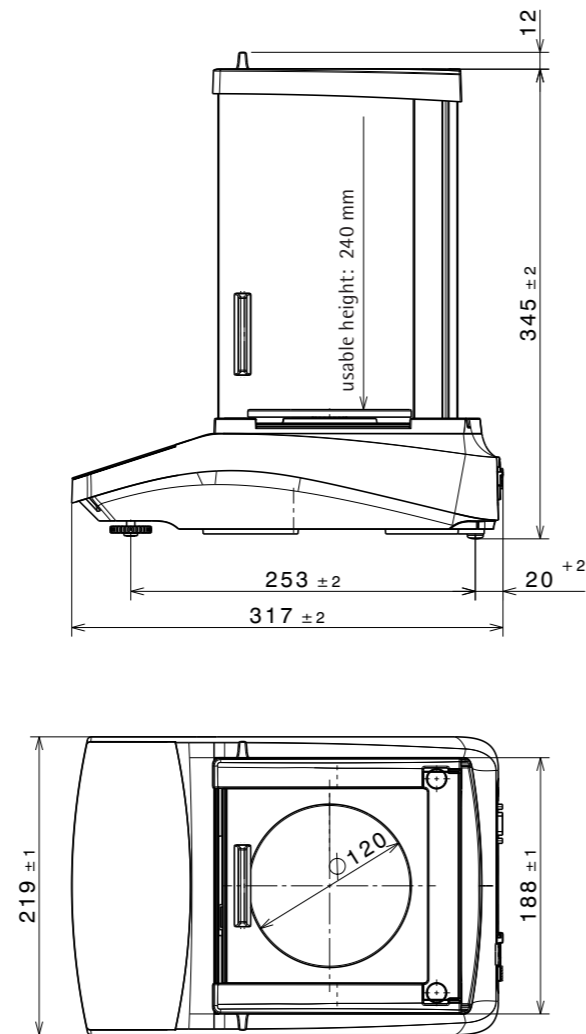
- x = S: Standard balances without country-specific additions
- x = SAR: Standard balances with country-specific additions for Argentina
- x = SJP: Standard balances with country-specific additions for Japan
- x = SKR: Standard balances with country-specific additions for South Korea

## Technical Drawings

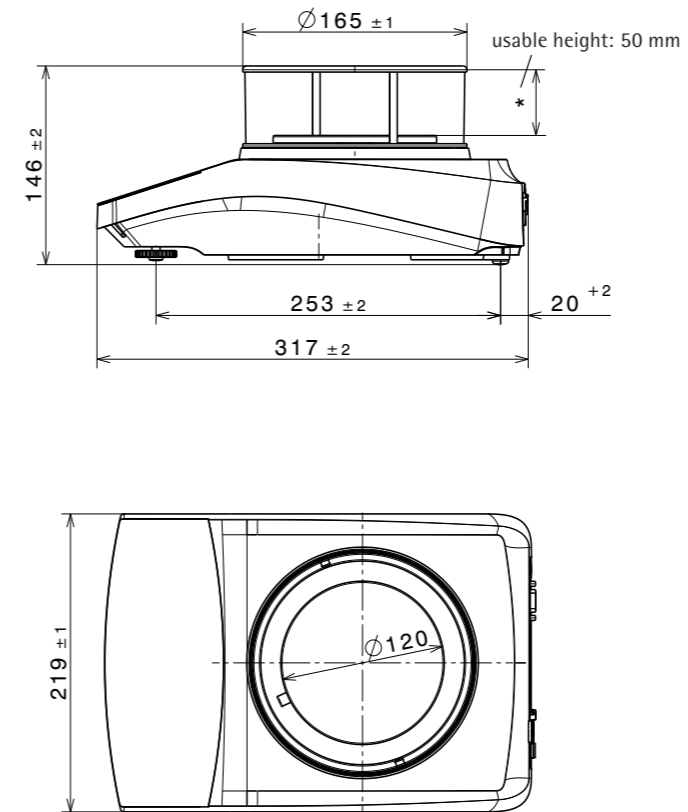
Models with a readability of 0.1 mg  
All dimensions are given in millimeters



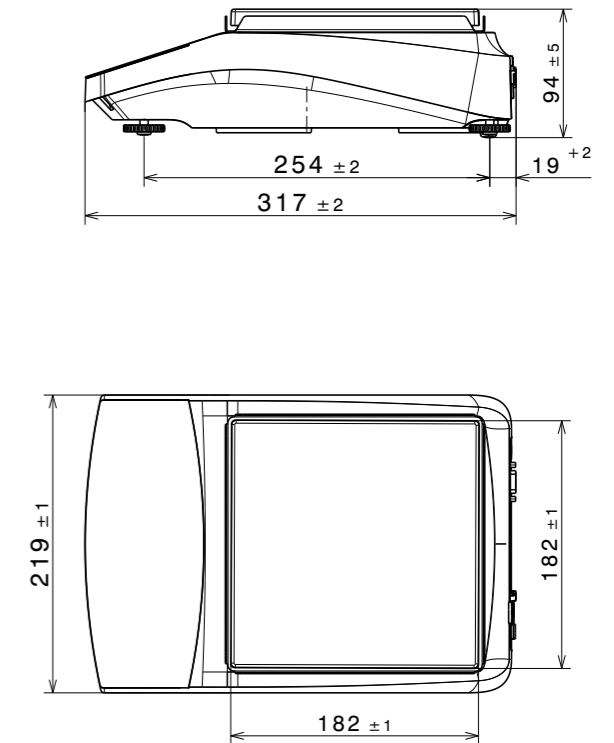
Models with a readability of 1 mg  
All dimensions are given in millimeters



Models with a readability of 1 mg, with round glass shield  
All dimensions are given in millimeters



Models with a readability of ≥ 10 mg  
All dimensions are given in millimeters



## Accessories

These tables contain an excerpt of the accessories that can be ordered. For information on other products, contact Sartorius.

### Balance Accessories

Item	Quantity	Order number
Display protection film (set of 5)	1	YDC10
Shield disk for balances with a readability of 0.1 mg	1	YSP02
Dust cover for balances with an analytical draft shield	1	6960BC01
Density determination set for solids and liquids for balances with a readability of 0.1 mg   1 mg	1	YDK03
"Kensington Lock" anti-theft device	1	YKL01
Pedal button   foot switch	1	YFS03
Second display   remote display	1	YSD01
Below-balance weighing (not for models in legal metrology)		
Hook M5	1	69EA0039
Weighing table		
Made from wood with natural stone	1	YWT09
Made from natural stone, with vibration dampening	1	YWT03
Wall console made from natural stone	1	YWT04

### Printer and Accessories for Data Communication

Item	Quantity	Order number
Thermal printer (USB-B)	1	YDP40
Thermal transfer printer (USB-B, RS232)	1	YDP30
Dot matrix printer (RS232)	1	YDP20-0CE
Data cable USB-C > USB-B	1.5 m	YCC-USB-C-B
Data cable USB-C > USB-A	1.5 m	YCC-USB-C-A
Data cable RS232 (9-pin) > USB-A	1.5 m	YCC-D09M-USB-A
Data cable RS232 (9-pin) male > RS232 (9-pin) male	1.5 m	YCC-D09MM
Data cable RS232 (9-pin) male > RS232 (9-pin) female	1.5 m	YCC-D09MF
Y-adaptor RS232 (9-pin) male > 2x RS232 (9-pin) female	1.5 m	YCC-D09M-2D09F

### External Calibration and Adjustment Weights

BCE model	Weight	Accuracy class	Quantity	Order number
224	200 g	E2	1	YCW522-AC-02
124	100 g	E2	1	YCW512-AC-02
64	50 g	E2	1	YCW452-AC-02
653   623	500 g	F1	1	YCW553-AC-02
423   323   223	200 g	F1	1	YCW523-AC-02
6202	5,000 g	F1	1	YCW653-AC-02
4202   3202   2202	2,000 g	F1	1	YCW623-AC-02
1202	1,000 g	F1	1	YCW613-AC-02
822   622	500 g	F2	1	YCW554-AC-02
8201   5201	5,000 g	F2	1	YCW654-AC-02
2201	2,000 g	F2	1	YCW624-AC-02
8200   6200	5,000 g	F2	1	YCW654-AC-02

## Sales and Service Contacts

For further contacts, visit [www.sartorius.com](http://www.sartorius.com)

### Europe

**Germany**  
Sartorius Lab Instruments  
GmbH & Co. KG  
Otto-Brenner-Strasse 20  
37079 Goettingen  
Phone +49.551.308.0

**France Et Suisse Romande**  
Sartorius France  
2, rue Antoine Laurent de Lavoisier  
ZA de la Gaudrée  
91410 Dourdan  
Phone +33.1.70.62.50.00

**Austria**  
Sartorius Austria GmbH  
Modecenterstrasse 22  
1030 Vienna  
Phone +43.1.7965760.0

**Belgium**  
Sartorius Belgium N.V.  
Rue Colonel Bourg 105  
1030 Bruxelles  
Phone +32.2.756.06.90

**Finland Et Baltics**  
Sartorius Biohit Liquid Handling Oy  
Laippatie 1  
00880 Helsinki  
Phone +358.9.755.951

**Hungary**  
Sartorius Hungaria Kft.  
Kagyló u. 5.  
2092 Budakeszi  
Phone +3623.457.227

**Ireland**  
Sartorius Ireland Ltd.  
Unit 41, The Business Centre  
Stadium Business Park  
Ballycoolin Road  
Dublin 11  
Phone +353.1.8089050

**Italy**  
Sartorius Italy S.r.l.  
Via Torino 3/5  
20814 Varedo (MB)  
Phone +39.0362.5557.11

**Netherlands**  
Sartorius Netherlands B.V.  
Phone +31.30.60.53.001  
info.netherlands@sartorius.com

**Poland**  
Sartorius Poland sp.z o.o.  
ul. Wrzesinska 70  
62-025 Kostrzyn  
Phone +48.61.6473830

**Russian Federation**  
LLC "Sartorius RUS"  
Vasilyevsky Island  
5<sup>th</sup> line 70, Lit. A  
199178 St. Petersburg  
Phone +7.812.327.53.27

**Spain Et Portugal**  
Sartorius Spain, S.A.  
Avda. de la Industria, 32  
Edificio PAYMA  
28108 Alcobendas (Madrid)  
Phone Spain +34.913.586.095  
Phone Portugal +351.800.855.800

**Switzerland**  
Sartorius Mechatronics Switzerland AG  
Ringstrasse 24a  
8317 Tagelswangen (ZH)  
Phone +41.44.746.50.00

**U.K.**  
Sartorius UK Ltd.  
Longmead Business Centre  
Blenheim Road, Epsom  
Surrey KT19 9QQ  
Phone +44.1372.737159

**Ukraine**  
LLS "Sartorius RUS"  
Post Box 440 "B"  
01001 Kiev, Ukraine  
Phone +380.44.411.4918

For more information, view our Sartorius catalog and price list or visit our website.

### Americas

**USA**  
Sartorius Corporation  
565 Johnson Avenue  
Bohemia, NY 11716  
Phone +1.631.254.4249  
Toll-free +1.800.635.2906

**Argentina**  
Sartorius Argentina S.A.  
Int. A. Ávalos 4251  
B1605ECS Munro  
Buenos Aires  
Phone +54.11.4721.0505

**Brazil**  
Sartorius do Brasil Ltda  
Avenida Senador Vergueiro 2962  
São Bernardo do Campo  
CEP 09600-000 - SP- Brasil  
Phone +55.11.4362.8900

**Canada**  
Sartorius Canada Inc  
1173 North Service Road West, D4  
Oakville, ON L6M 2V9  
Phone +1.905.569.7977  
Toll-Free +1.800.668.4234

**Mexico**  
Sartorius de México, S.A. de C.V.  
Libramiento Norte de Tepozotlan s/n,  
Colonia Barrio Tlacateco,  
Municipio de Tepozotlan,  
Estado de México,  
C.P. 54605  
Phone +52.55.5562.1102  
leadsmex@sartorius.com

### Asia | Pacific

**Australia**  
Sartorius Australia Pty. Ltd.  
Unit 5, 7-11 Rodeo Drive  
Dandenong South Vic 3175  
Phone +61.3.8762.1800

**China**  
Sartorius (Shanghai) Trading Co., Ltd.  
3rd Floor, North Wing, Tower 1  
No. 4560 Jinke Road  
Zhangjiang Hi-Tech Park  
Pudong District  
Shanghai 201210, P.R. China  
Phone +86.21.6878.2300

**Hong Kong**  
Sartorius Hong Kong Ltd.  
Unit 1012, Lu Plaza  
2 Wing Yip Street  
Kwun Tong  
Kowloon, Hong Kong  
Phone +852.2774.2678

**India**  
Sartorius Weighing India Pvt. Ltd.  
#69/2-69/3, NH 48, Jakkasandra,  
Nelamangala Tq  
562 123 Bangalore, India  
Phone +91.80.4350.5250

**Japan**  
Sartorius Japan K.K.  
4th Fl., Daiwa Shinagawa North Bldg.  
8-11, Kita-Shinagawa 1-chome  
Shinagawa-ku, Tokyo, 140-0001 Japan  
Phone +81.3.3740.5408

**Malaysia**  
Sartorius Malaysia Sdn. Bhd  
Lot L3-E-3B, Enterprise 4  
Technology Park Malaysia  
Bukit Jalil  
57000 Kuala Lumpur, Malaysia  
Phone +60.3.8996.0622

**Singapore**  
Sartorius Singapore Pte. Ltd  
10 Science Park Rd  
The Alpha #02-13/14  
Singapore Science Park II  
Singapore 117684  
Phone +65.6872.3966

**South Korea**  
Sartorius Korea Ltd.  
8th Floor, Solid Space B/D,  
PanGyoYeok-Ro 220, BunDang-Gu  
SeongNam-Si, GyeongGi-Do, 463-400  
Phone +82.31.622.5700

**Thailand**  
Sartorius (Thailand) Co. Ltd.  
129 Rama 9 Road,  
Huaykwang  
Bangkok 10310  
Phone +66.2643.8361-6



◆  
[www.sartorius.com](http://www.sartorius.com)